

TONONE

technical specifications

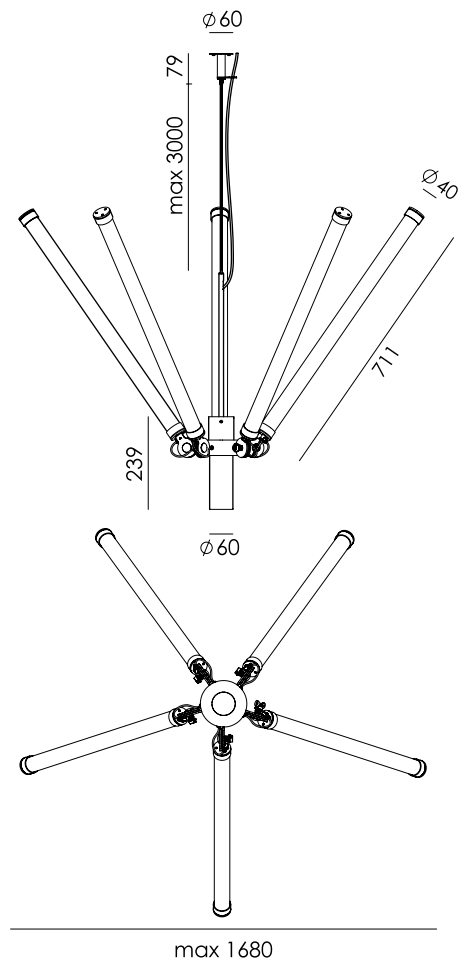
MR. TUBES LED chandelier

Design by Anton de Groof, 2019



Mr. Tubes is a sturdy lamp design that combines pure functionality with graphical aesthetics. The black- or white coated steel construction holds the led tubes and gives the lamp an industrial look; a straightforward design suitable for various locations. The lamp is dimmable and the adjustable steel cables make it possible to hang the lamp at any height. Mr. Tubes is available as a pendant single, double, floor, wall and chandelier. Or build your own with the Mr. Tubes Led Connect.


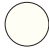
Type	Chandelier lamp
Environment	Indoor
Material	Aluminum & steel
Wingnut	Wingnut Solid Brass included
Cord length	Max. 3000 mm
Weight	7,1 kg
Voltage	230–240 V
Watt	7,8 Watt
IP	20
Lightsource	Integrated LED source
Kelvin / Lumen	2700 K 5 × 890 lumen
Kelvin	4000 K 5 × 980 lumen
CRI	80
Dimmable	Phase cut dimmable
Optional	Optional ceiling ring for installation available, not included
Packaging	
Length	100 cm
Width	27 cm
Height	42 cm



TONONE

technical specifications



	2700 K	4000 K
 smokey black with black cords	4045	4046
 pure white with orange cords	4050	4051
